



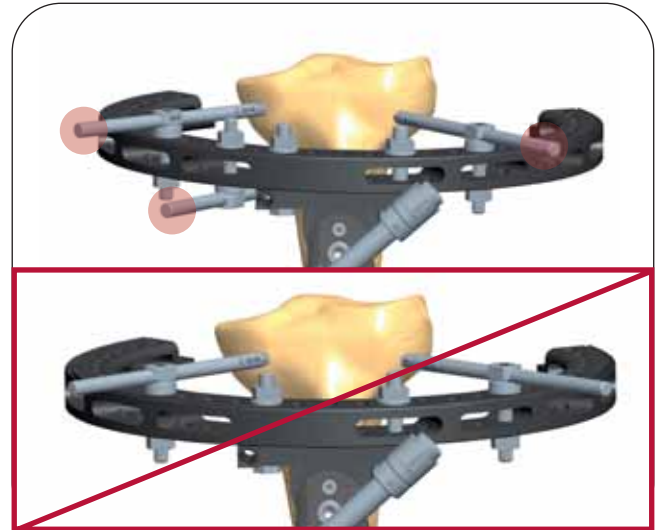
HINTS FOR BEST PRACTICE

ADV Ring Hinge

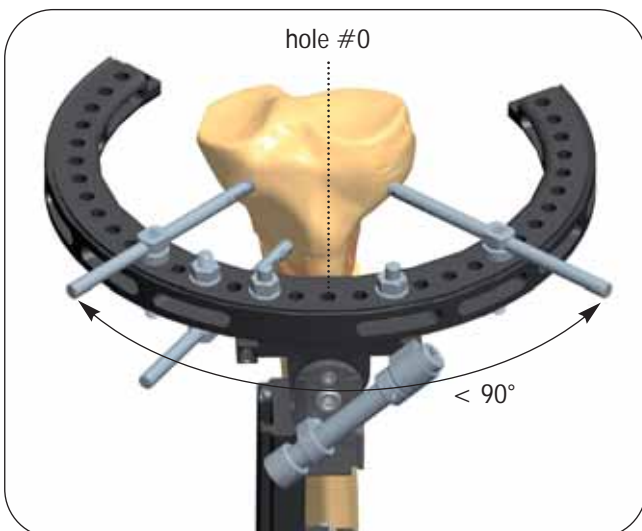
Product Code 53570



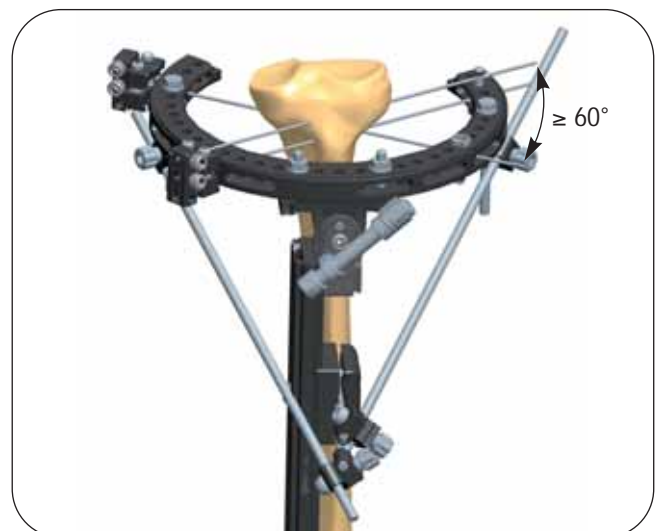
This clamp has not been designed for lengthening procedures and should never be subjected to the forces of lengthening.



It may be used in gradual or acute angular corrections as long as a minimum of 3 screws are applied to the ring to guarantee rotational stability, with two screws inserted above and 1 below the ring.



The two outer screws should be inserted at an angle close to but no greater than 90° . This means inserting each screw into hole number 6 in a 150 mm ring, or 5 in all greater ring sizes, on each side of the hole number 0 above the centre of rotational of the hinge.



It can also be used with a minimum of 3 tensioned Kirschner wires with a crossing angle of at least 60 degrees, but only in cases of acute correction, as long as reinforcement bars are added to the frame after the correction.

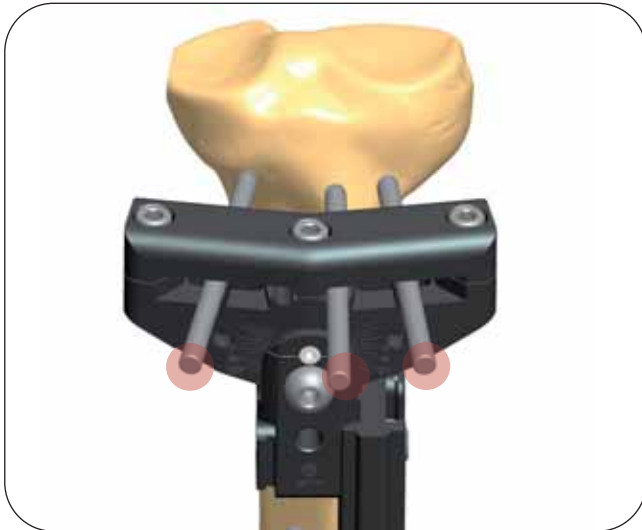




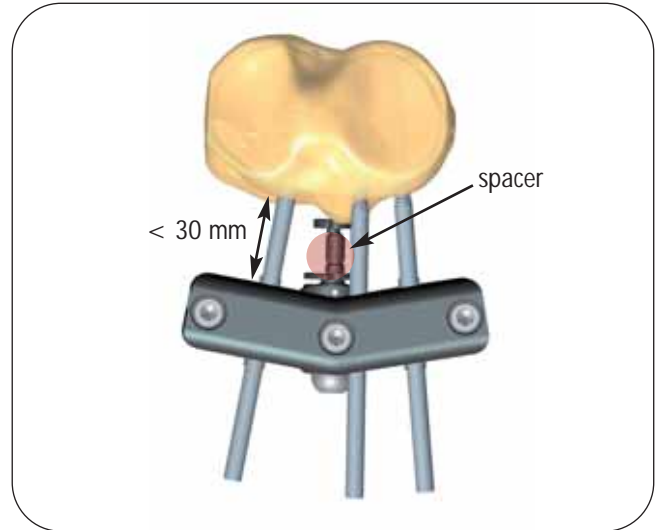
HINTS FOR BEST PRACTICE

ADV T-Garches Clamp

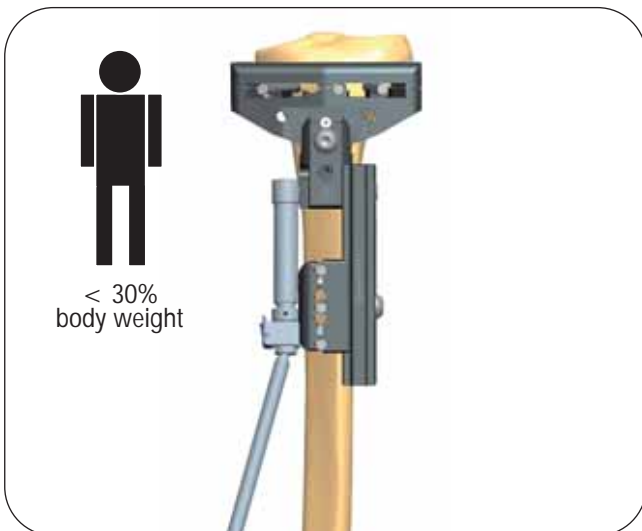
Product Code 53031



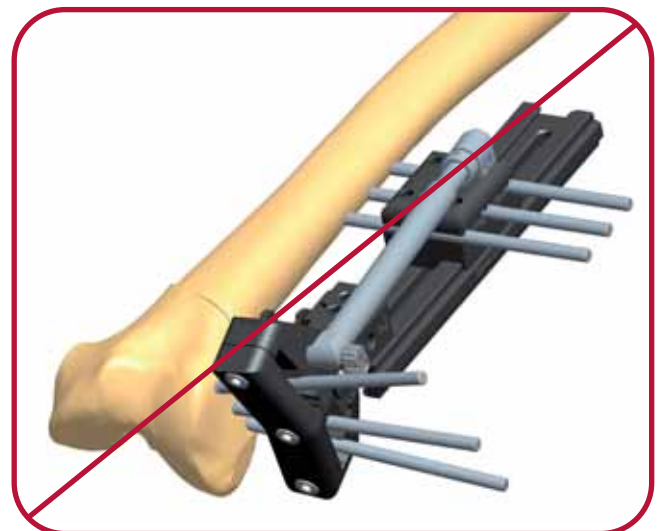
It must be used always with 3 bone screws for sufficient stability.



This clamp must be positioned at a distance of 20 mm from the bone (never greater than 30 mm). Use of the spacer is necessary for correct placement of the clamp.



During the lengthening procedure, the patient should be allowed to weighbear no more than 30% of the body weight.



This clamp should not be used for correcting procurvatum/recurvatum femoral deformities.

Manufactured by: ORTHOFIX Srl
Via Delle Nazioni 9, 37012 Bussolengo (Verona), Italy
Telephone +39 045 6719000
Fax +39 045 6719380

www.orthofix.com

LR-0906-PL-EO B 06/14



Your Distributor is:

