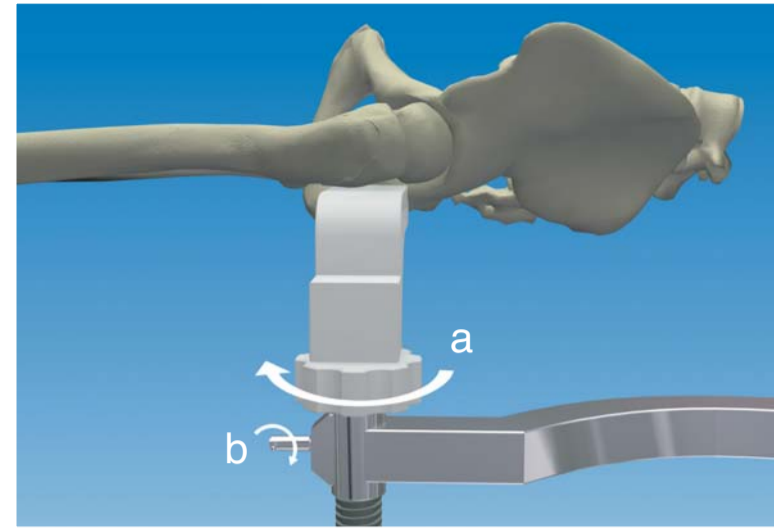
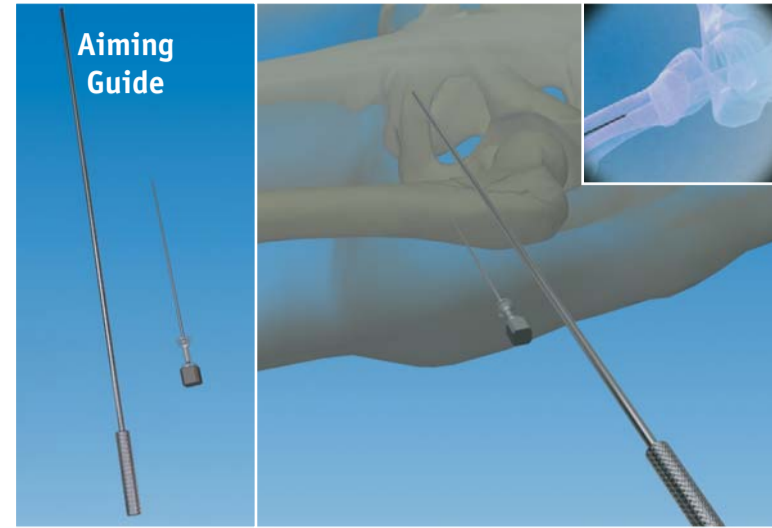


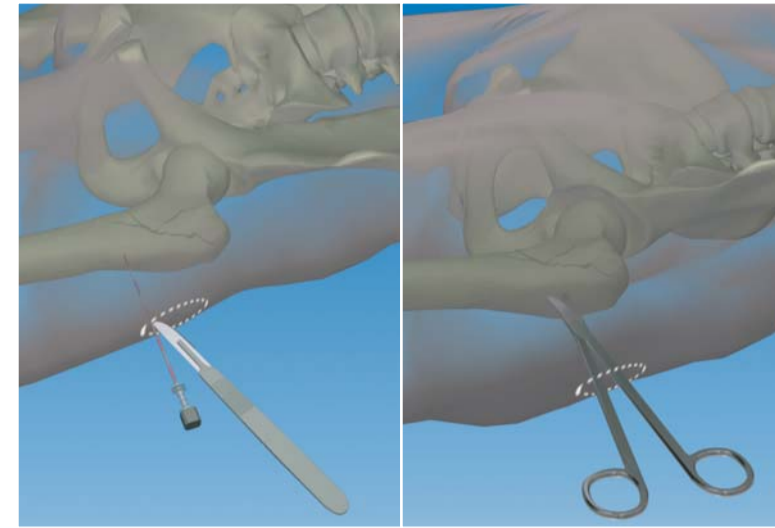
1 Confirm 135 Degree Neck Shaft Angle Reduction with Template



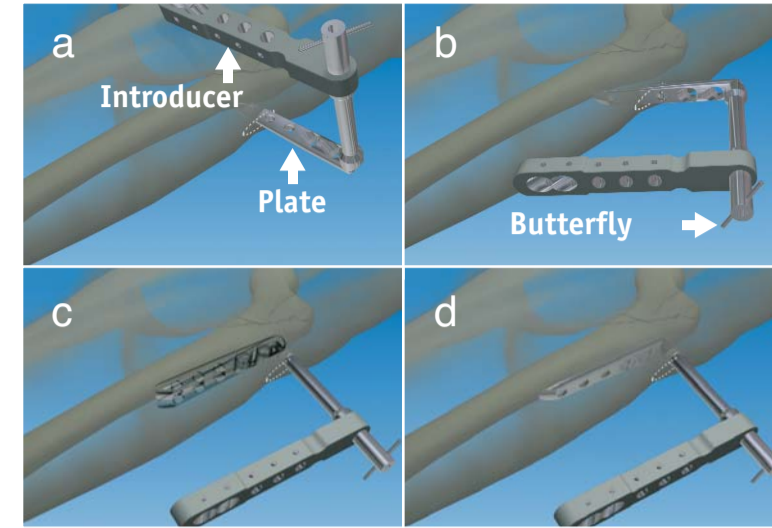
2 Reduce Posterior Sagging and Maintain Reduction with PORD Device



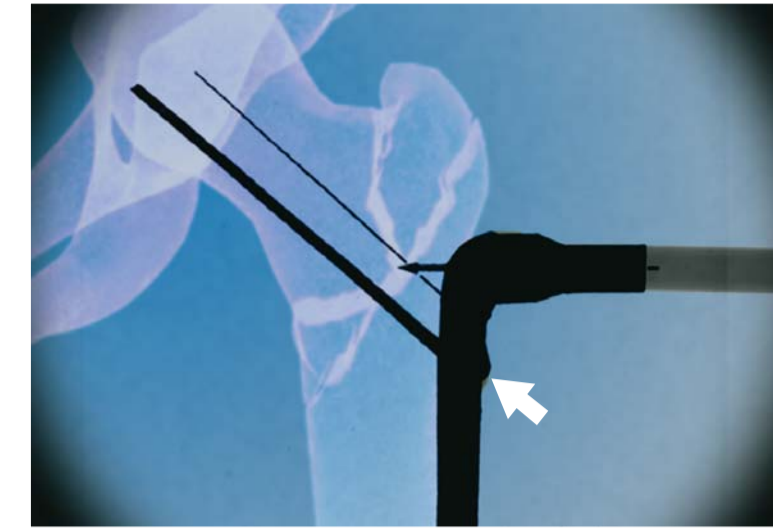
3 Determine Incision Site with Aiming Guide and Spinal Needle



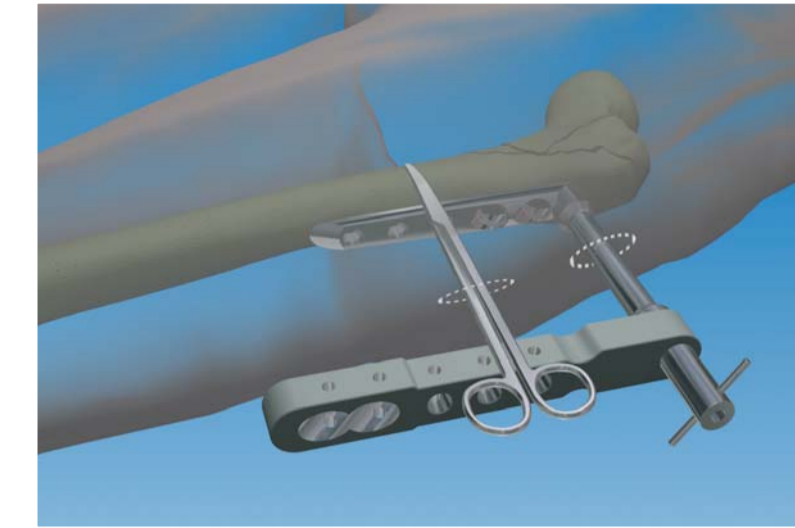
4 Make Incision #1 Through Skin and Fascia



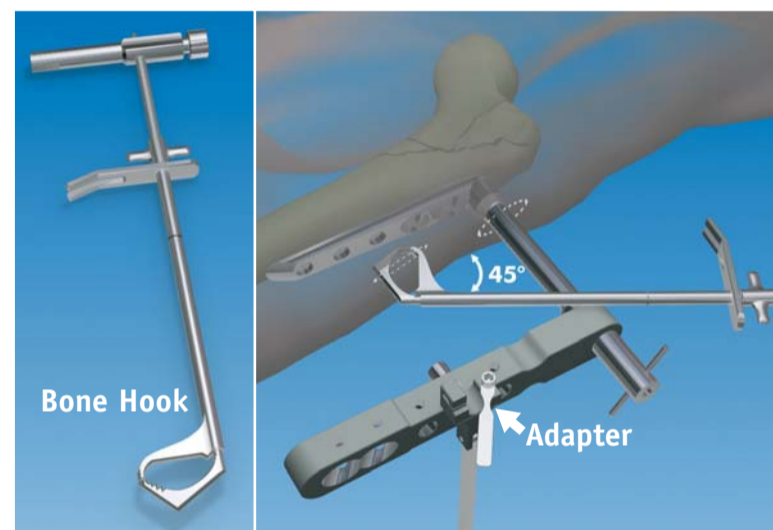
5 Insert Plate



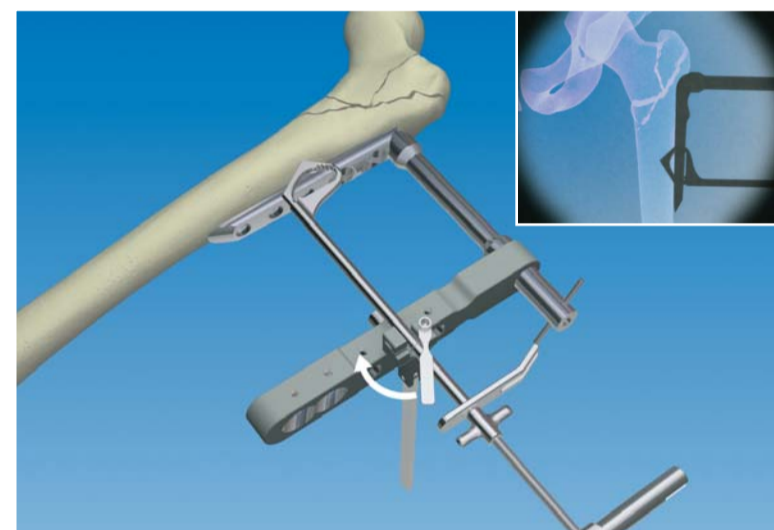
6 Match Lateral Plate Projection with Template, Confirm AP Position



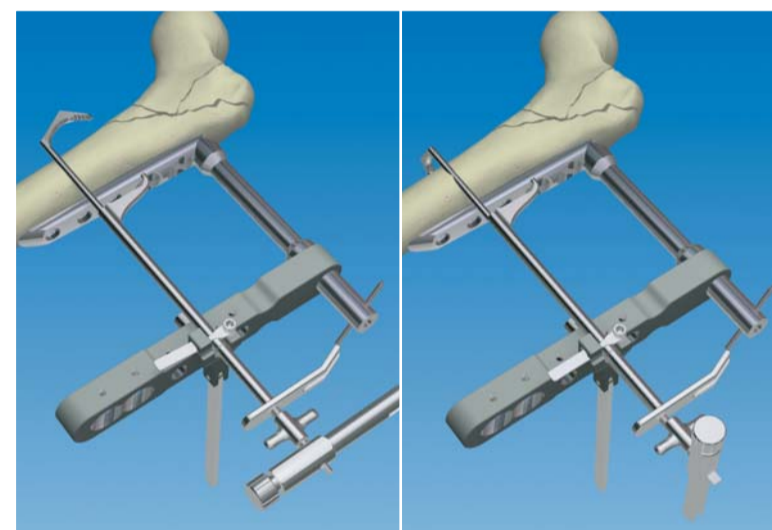
7 Make Incision #2 and Anterior Bone Hook Preparation



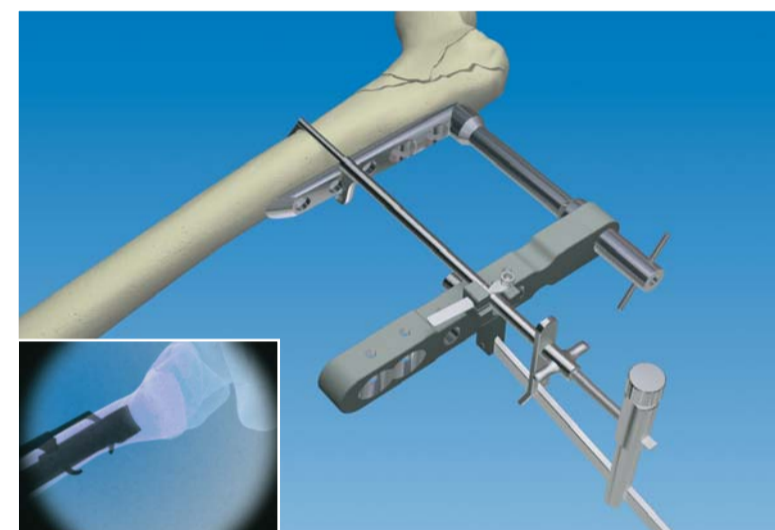
8 Attach Bone Hook Adapter and Insert Bone Hook



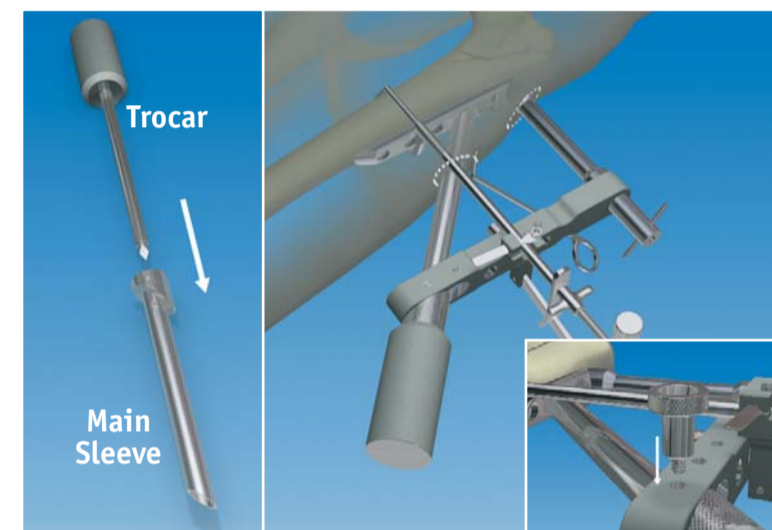
9 Lock Bone Hook in Adapter and Confirm Appropriate Position



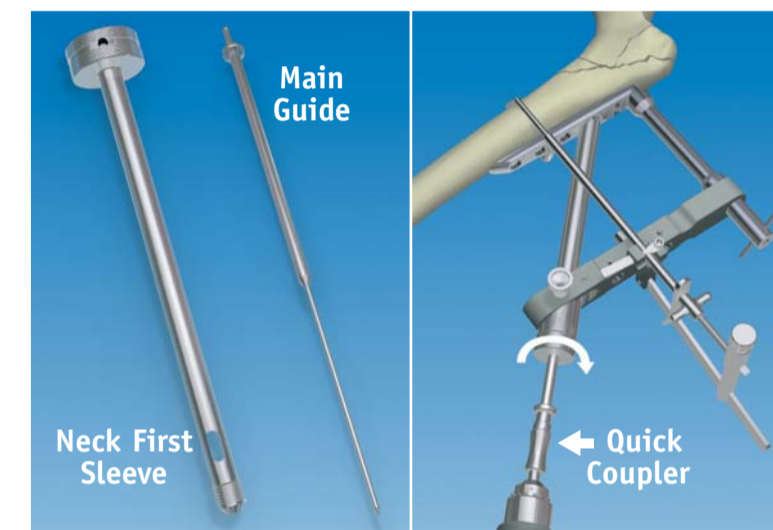
10 Secure Distal Plate to Femur



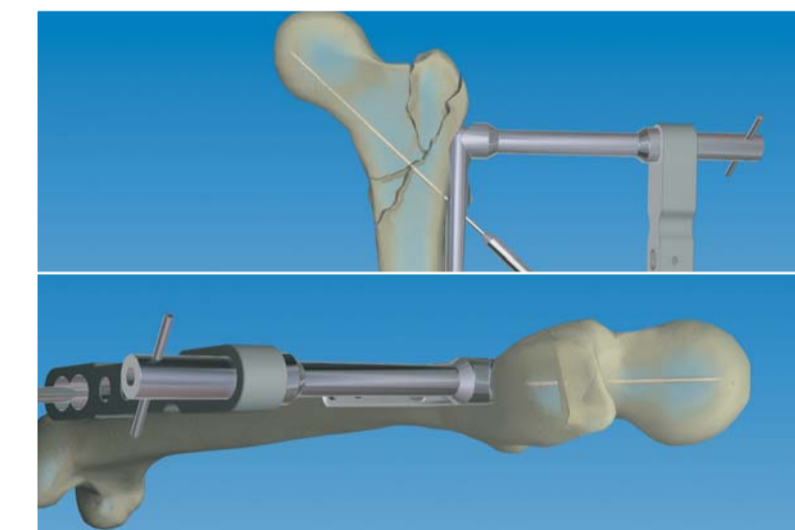
11 Confirm Correct Lateral Position of Proximal and Distal Plate



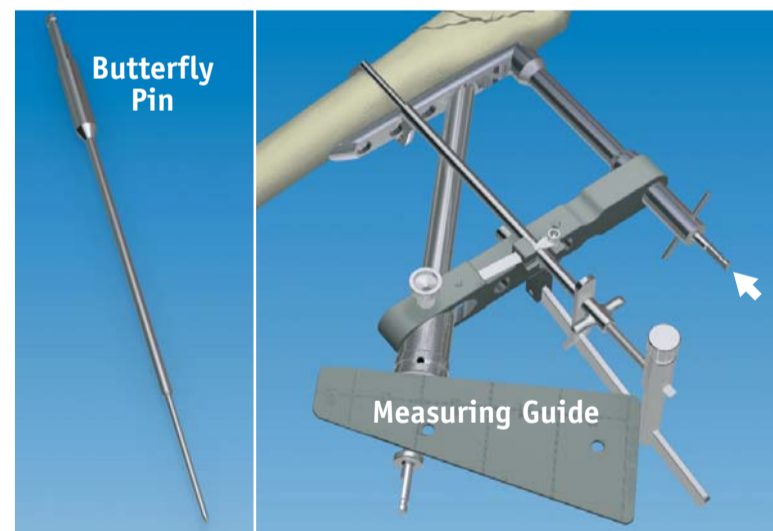
12 Begin Femoral Neck Screw Process



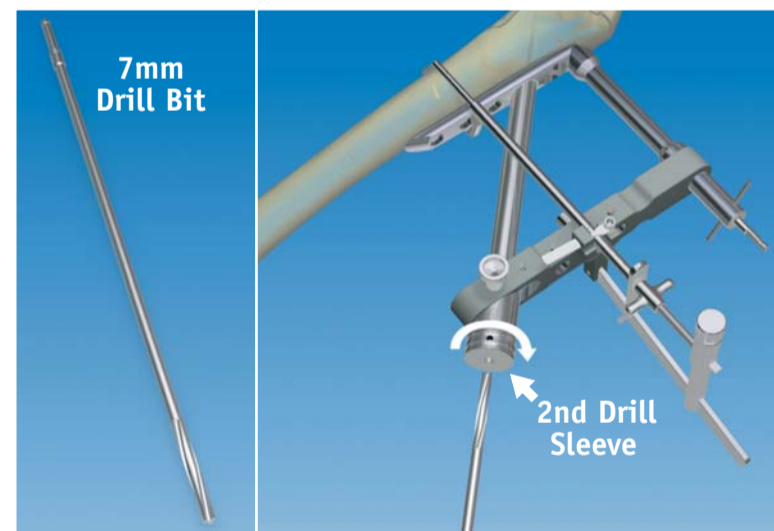
13 Insert Main Guide into Neck First Sleeve (one ring)



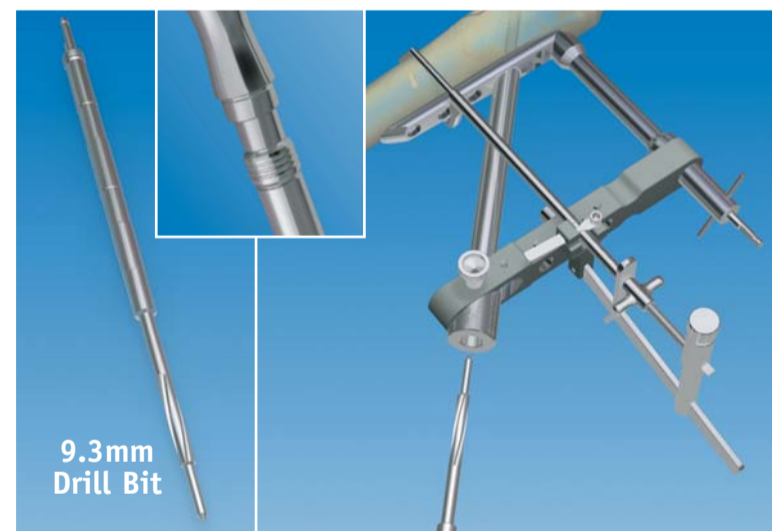
14 Proper Position AP-2-3mm Above Calcar Lat-Middle Third of Femur Neck



15 Insert Butterfly Pin and Measure for Neck Screw Length



16 Place 2nd Drill Sleeve (two rings) and Drill (7.0mm) to Stop



17 Remove Sleeve and Drill (9.3mm) to Stop



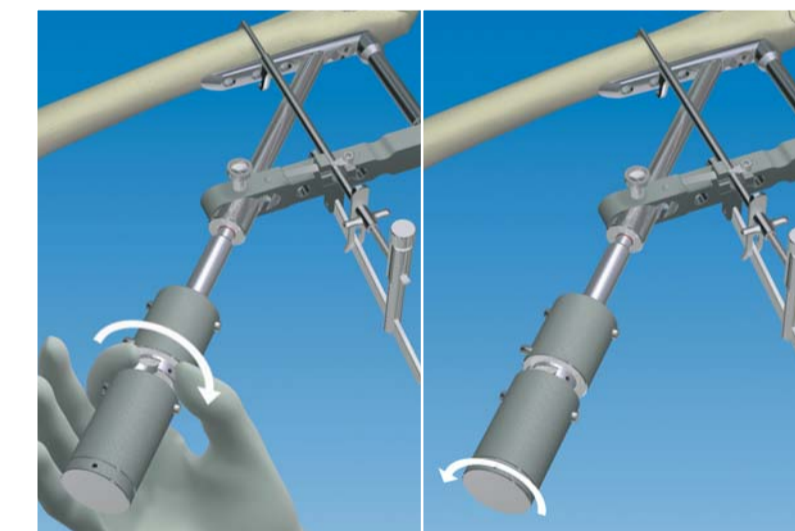
18 Attach Neck Screw to Neck Screw Driver



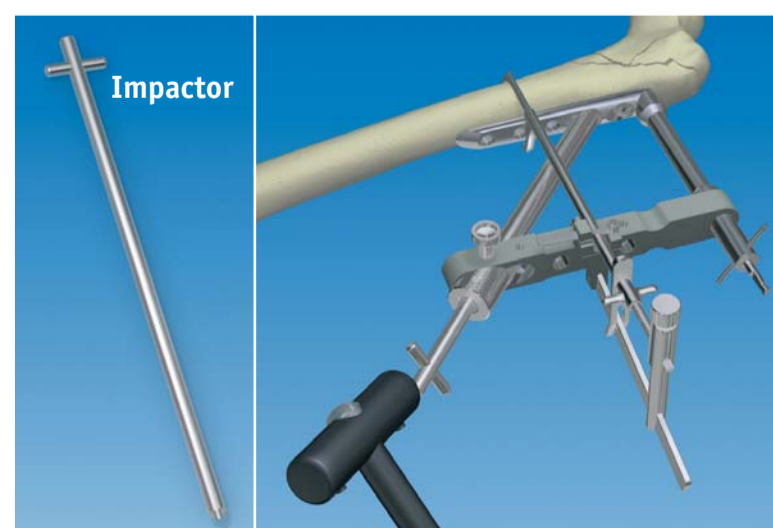
19 Insert Neck Screw Barrel with Grip 1



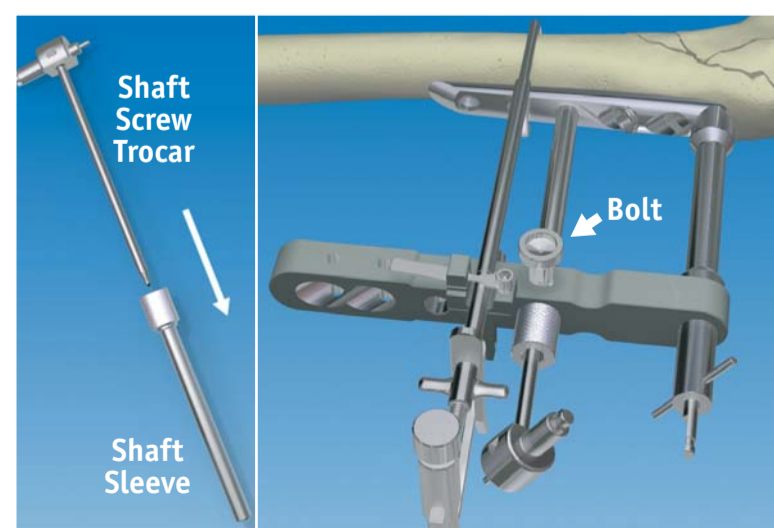
20 Reverse Wing Nut and Advance Neck Screw with Grip 2



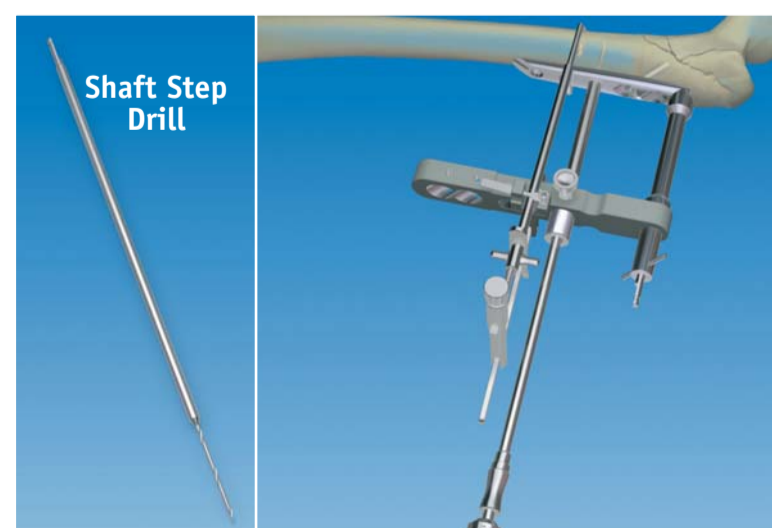
21 Compress Fracture and Disengage Neck Screw with Grip 3



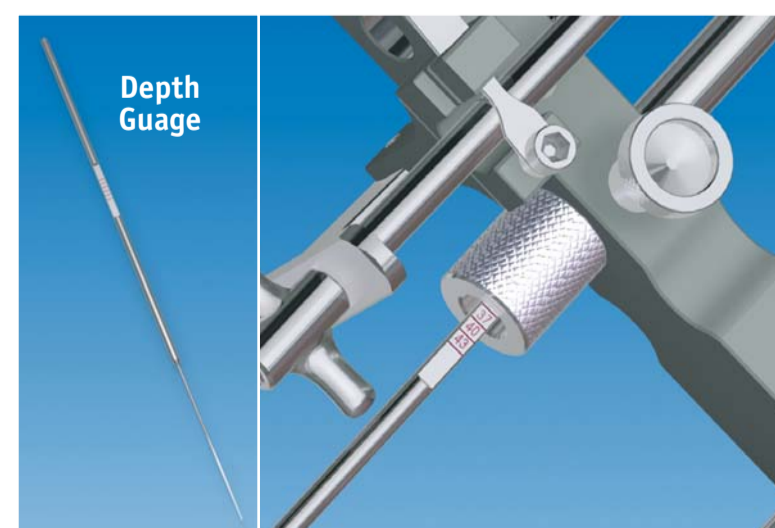
22 Impact Neck Screw



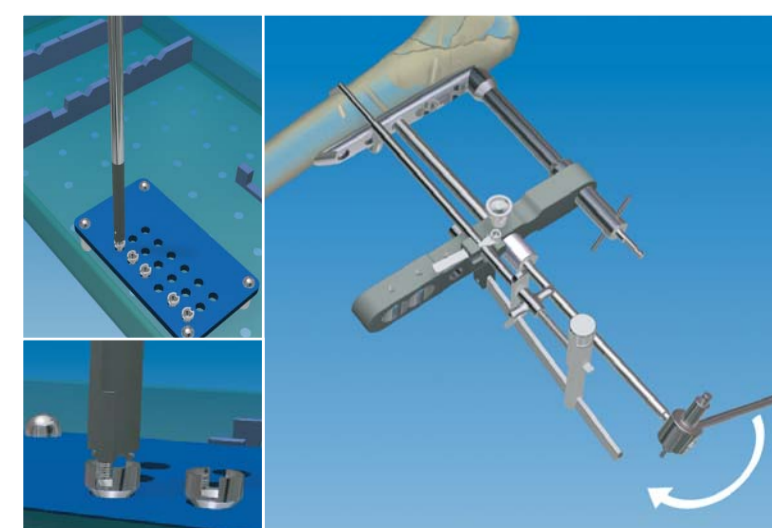
23 Begin 1st Shaft Screw Process



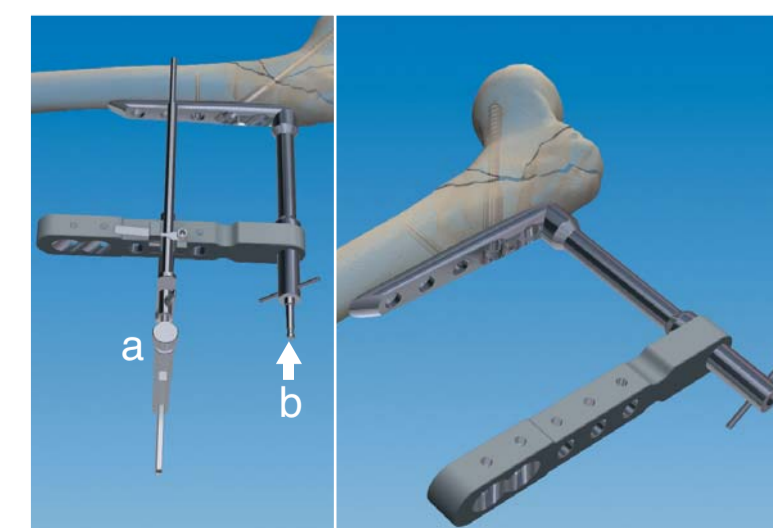
24 Drill



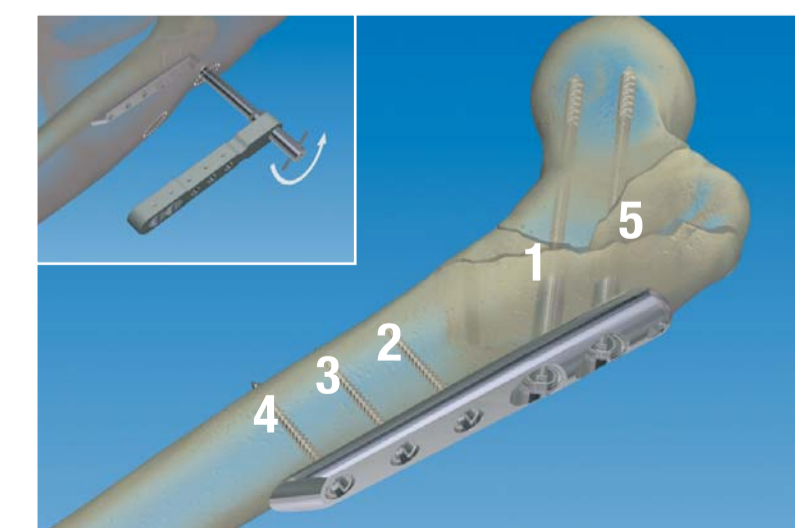
25 Measure Shaft Screw Length



26 Insert Shaft Screw Manually or with Power Drill



27 Remove Bone Hook with Adapter (a) AND Butterfly Pin (b)



28 Repeat Steps for Screws 3-5 and Remove Introducer from Plate