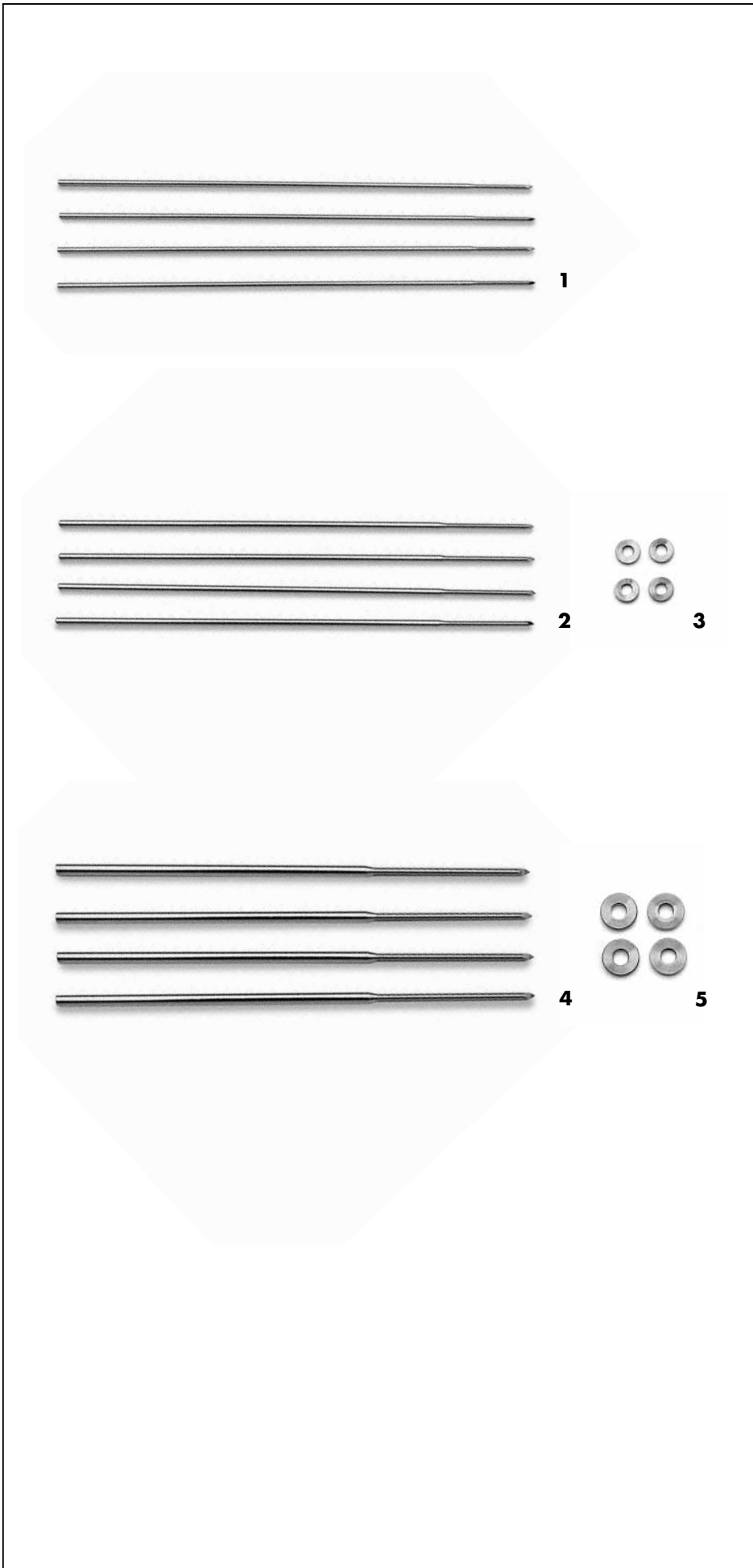


A. THE FRAGMENT FIXATION SYSTEM



(See "Fragment Fixation System" leaflet for application instructions)

1. COMPONENTS



1

Small Implants (pack of 4)
Total Length 120 mm
Shaft Diameter 1.5 mm
Thread Diameter 1.2 mm

	Thread Length (mm)
W1207	7
W1209	9
W1211	11
W1213	13
W1215	15
W1217	17
W1219	19
W1221	21

2

Medium Implants (pack of 4)
Total Length 120 mm
Shaft Diameter 2 mm
Thread Diameter 1.6 mm

	Thread Length (mm)
W1611	11
W1613	13
W1615	15
W1617	17
W1619	19
W1621	21
W1623	23
W1625	25
W1630	30
W1635	35
W1640	40
W1645	45

3

W1600 Medium Washers (pack of 4)

4

Large Implants (pack of 4)
Total Length 120 mm
Shaft Diameter 3 mm
Thread Diameter 2.2 mm

	Thread Length (mm)
W2220	20
W2225	25
W2230	30
W2235	35
W2240	40
W2245	45
W2250	50
W2255	55

5

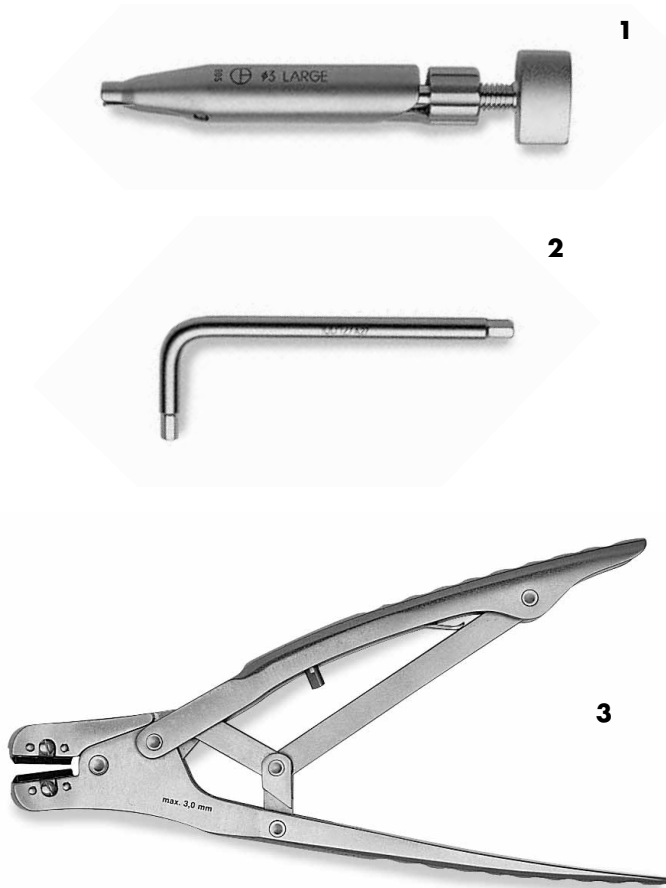
W2200 Large Washers (pack of 4)

A complete Kit is also available; see
 "Fragment Fixation System - A - 2.1".



GENERAL CATALOGUE

2. SPECIFIC INSTRUMENTATION



1

Implant Extractor

W1001 For small and medium implants.

W1002 For large implants.

2

10.012 Allen Wrench 3 mm

3

W1003 Wire cutter

W1300 Complete Kit

Consisting of:

40 Small Implants (5 implants of each thread length)

60 Medium Implants (5 implants of each thread length)

32 Large Implants (4 implants of each thread length)

10 Medium Washers

10 Large Washers

1 Implant Extractor for small and medium implants

1 Implant Extractor for large implants

1 Allen Wrench 3 mm

1 Set of 3 Sterilization Boxes for small, medium and large implants

(see "Fragment Fixation System - A - 3.1").

3. STERILIZATION BOXES



1



2



3



4

1

W1201 Sterilization Box - Small - empty

Can accommodate up to:

- 40 Small Implants (5 implants of each thread length).

2

W1601 Sterilization Box - Medium - empty

Can accommodate up to:

- 60 Medium Implants (5 implants of each thread length).
- 10 Medium Washers.

3

W2201 Sterilization Box - Large - empty

Can accommodate up to:

- 32 Large Implants (4 implants of each thread length).
- 10 Large Washers.

4

W1000 Set of 3 Sterilization Boxes - empty

Can accommodate up to:

- 40 Small Implants (5 implants of each thread length).
- 60 Medium Implants (5 implants of each thread length).
- 32 Large Implants (4 implants of each thread length).
- 10 Medium Washers.
- 10 Large Washers.

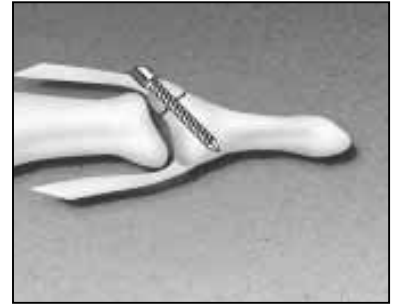
 **ORTHOFIX**

GENERAL CATALOGUE

4. INDICATIONS FOR USE

SMALL IMPLANTS

- Middle and distal phalanges in the fingers and toes
- Fragments less than 3mm in diameter



Mallet Finger

MEDIUM IMPLANTS

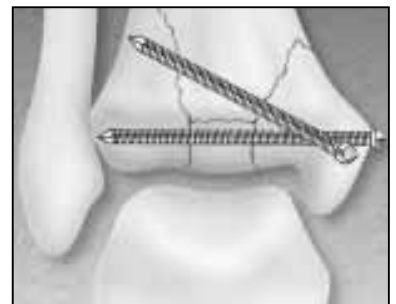
- Proximal phalanges in the fingers and toes
- Metacarpals and metatarsals
- Proximal and distal radius
- Fragments too small for large implants in the humerus, tibia and fibula



Intra-articular Distal Radius Fracture

LARGE IMPLANTS

- Humerus
- Olecranon
- Patella
- Tibia
- Fibula
- Metatarsal



Comminuted Tibial Pilon Fracture