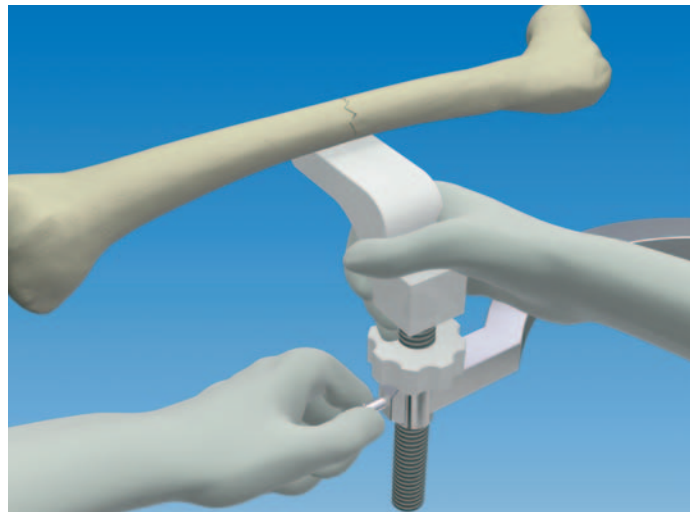


The Limb Support is positioned beneath that portion of the fracture which requires elevating. The correct position of the support is confirmed on the AP view (the shadow of the support can be seen).

Turn the Nut clockwise to raise the Limb Support, thus elevating and aligning the fracture. Note that to achieve reduction, the Limb Support may need to be positioned beneath the proximal fragment, the distal fragment or the fracture gap itself.

Correct reduction should be confirmed with a lateral view on the Image Intensifier.

To lower the Limb Support turn the Nut counterclockwise.



When the fracture is correctly aligned, tighten the Lug Screw on the Horizontal Bar to secure the position of the Limb Support.

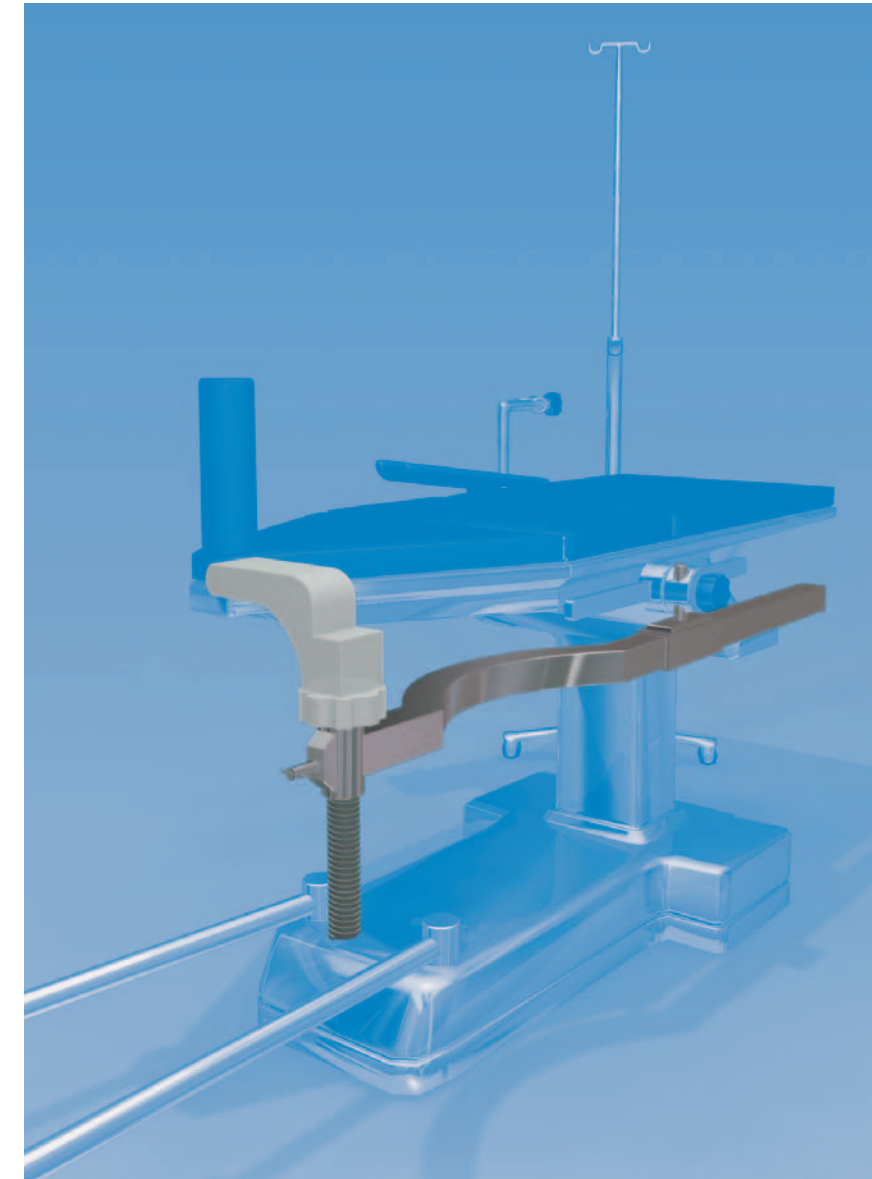
There is tendency for the Limb Support to rotate when its position is being adjusted, due to the conical cross-section of the thigh. It should therefore be held firmly during this procedure, and while tightening the Lug Screw.

The patient can now be routinely prepped and draped for surgery.

The PORD™ device can itself be draped during surgery, and does not, therefore, require sterilization.

Cleaning

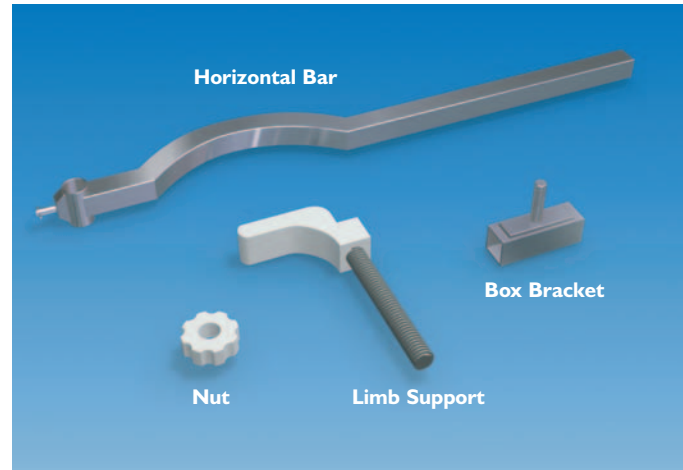
Following use, the PORD™ device should be washed thoroughly in a soapy solution and dried completely. It may be necessary to use forced air to dry out the Housing of the Lug Screw.



PORD™ Device

Posterior Reduction Device for Hip and Femoral Fractures

By Dr. Y. Gotfried MD. M. S.

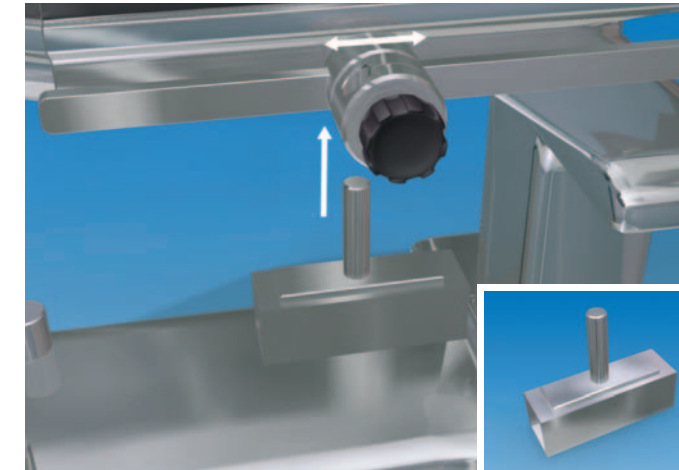


PORD™ Device 110000 consists of:

- 1 Box Bracket
- 1 Limb Support
- 1 Nut
- 1 Horizontal Bar



The PORD™ Posterior Reduction Device is attached to a standard fracture table and placed beneath the patient's hip or femur. It is used to correct posterior sagging of the fracture and to maintain the reduction during fixation. The Limb Support has a Radiolucent Ledge and an integral Screw Jack for raising or lowering it. The equipment design enables the fracture site to be supported without obstruction to the C-arm of the Image Intensifier. The PORD™ Device is compatible with most standard fracture tables.



Position the patient on the fracture table.

Slide the Clark Attachment on to the side rail of the fracture table.

Insert the vertical post of the Box Bracket into the Clark Attachment from beneath and tighten the clamp on the post so that the bracket is held securely.



Assemble the PORD™ device in the following way: Slide the Horizontal Bar through the Box Bracket with its curved portion facing the fracture table.



The Screw Jack of the Limb Support should be seated completely within the Housing of the Horizontal bar with the Nut turned so that it lies just beneath the Radiolucent Ledge.