

MINI Fixators... MAXIMUM Results

EARLY
WEIGHT BEARING

EARLY
JOINT FUNCTION

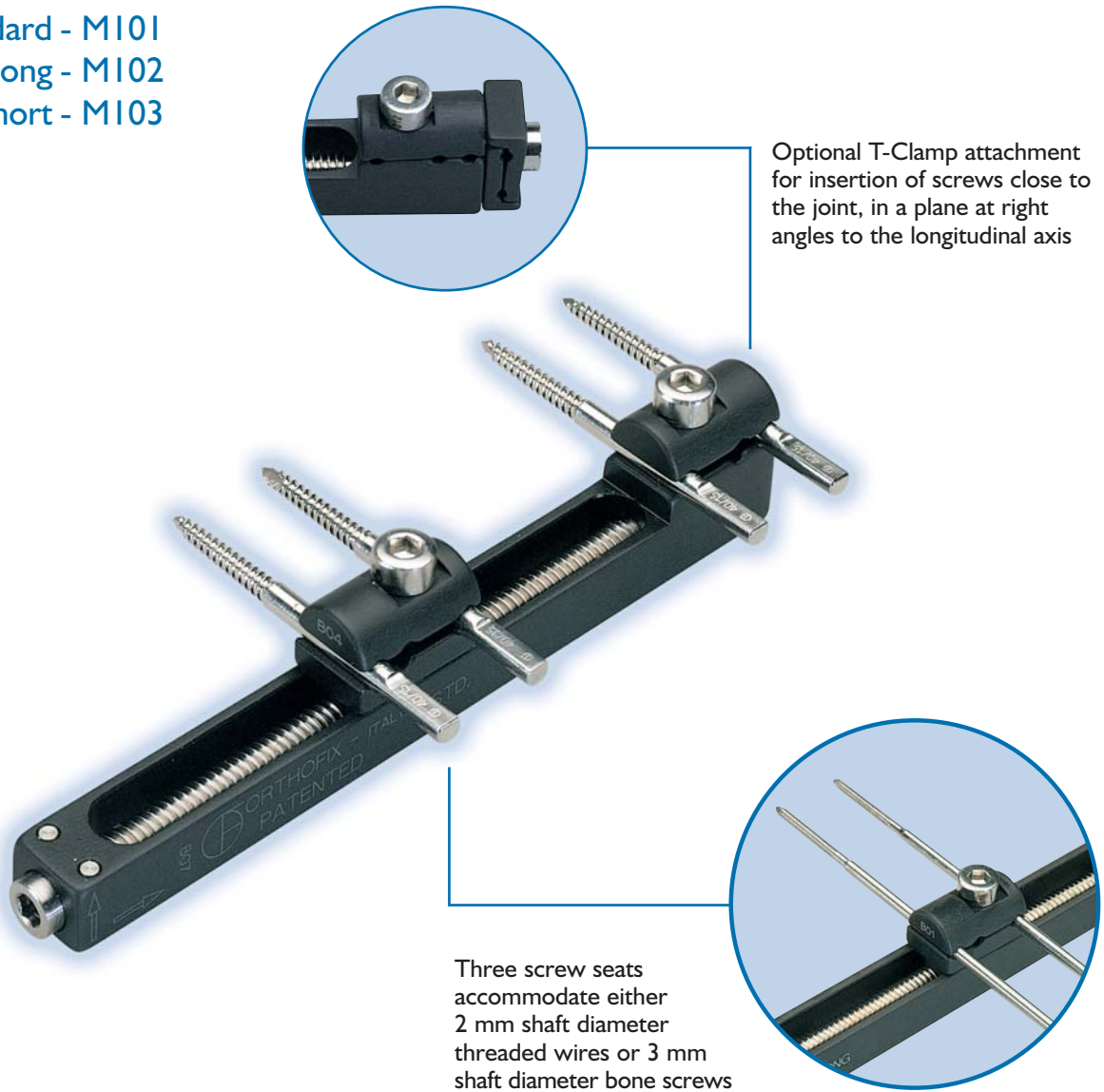


MiniRail Lengtheners

Standard - MI01

Long - MI02

Short - MI03



| CODE | MAXIMUM AMOUNT OF LENGTHENING POSSIBLE | INDICATIONS |
|------|--|--|
| MI01 | 57.5 mm | <ul style="list-style-type: none"> • Metacarpal and metatarsal lengthening • Calcaneal lengthening |
| MI02 | 135.5 mm | <ul style="list-style-type: none"> • Pediatric forearm lengthening |
| MI03 | 32.5 mm | <ul style="list-style-type: none"> • Metacarpal, metatarsal and phalangeal lengthening • Joint arthrodesis |

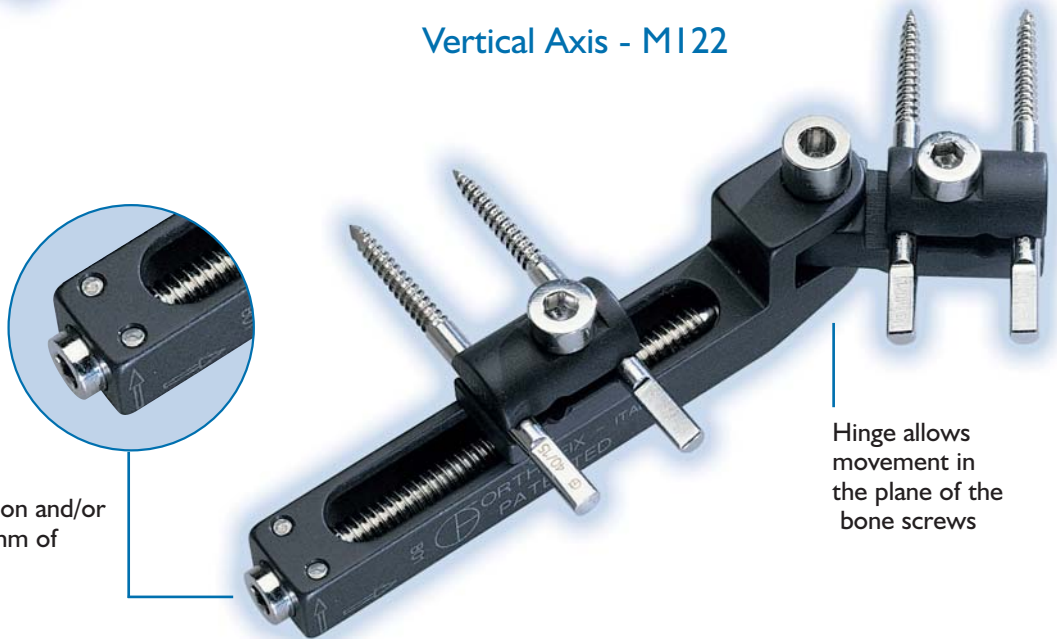
Articulated MiniRail Fixators

Horizontal Axis - M111



Hinge allows movement in a plane at right angles to the longitudinal axis of the phalanges

Vertical Axis - M122



Hinge allows movement in the plane of the bone screws

Threaded screw for compression and/or distraction (one full turn = 1 mm of compression or distraction)

| CODE | INDICATIONS |
|------|--|
| M111 | <ul style="list-style-type: none"> • Joint stiffness, Comminuted intra-articular fractures |
| M122 | <ul style="list-style-type: none"> • Soft tissue correction in patients with neurological disorders (e.g. cerebral palsy) • Arthrodesis of the 1st carpo-metacarpal joint following soft tissue correction |

Ordering Information



| QTY. | PART NO. | COMPONENT DESCRIPTION |
|------|----------|---|
| 1 | M190 | MiniRail System Sterilization Tray, empty |
| 1 | M101 | Standard MiniRail Lengthener |
| 1 | M102 | Long MiniRail Lengthener |
| 1 | M103 | Short MiniRail Lengthener |
| 2 | M104 | T-Clamp |
| 1 | M111 | Articulated MiniRail Fixator-Horizontal Axis |
| 1 | M122 | Articulated MiniRail Fixator-Vertical Axis |
| 1 | M210 | T-Wrench (For Bone Screws) |
| 4 | M300 | Self-drilling Mini Cortical Screws 40/15 mm |
| 4 | M301 | Self-drilling Mini Cortical Screws 45/20 mm |
| 1 | M420 | Threaded Wires 70/15, 1.6 mm thread diameter (Pack of 4) |
| 1 | M426 | Threaded Wires 100/15, 2.0 mm thread diameter (Pack of 4) |
| 1 | M442 | Threaded Wire Extractor |
| 1 | 10.012 | Allen Wrench 3 mm |
| 1 | 13.570 | T-Wrench (For Clamp Screws) |
| 1 | M190C | MiniRail System Kit, complete |

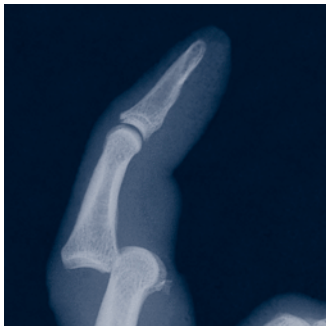
www.orthofix.com

ORTHOFIX
ALWAYS INNOVATING

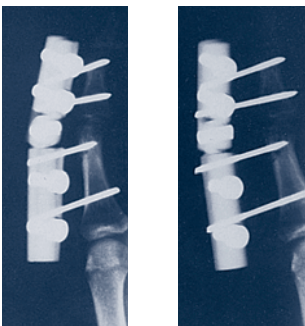
1720 Bray Central Drive
McKinney, Texas 75069
800.266.3349

Subluxation; reduction and stabilization

Case provided by Dr. L. Cugola,
Department of Hand Surgery, University of Verona,
Verona, Italy.



Pre-existing subluxation of the 5th proximal interphalangeal joint in an 18 year old male.



Reduced and stabilized with an articulated MiniRail Fixator.



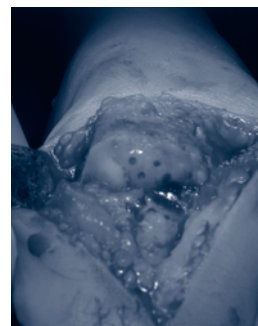
Flexion/extension at 4 weeks.

Hallux limitus; arthroplasty of joint with subchondral drilling and joint distraction

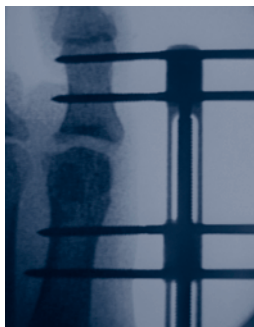
Case provided by Dr. G. Vito,
Atlanta Leg Lengthening and Deformity Correction Center
Macon, GA



Grade II Hallux Limitus pain with ambulation and standing



Post-arthroplasty with subchondral drilling



Intra-operative radiograph, MiniRail in place, joint distracted .5 cm

At 3 days post-op, begin to distract the MiniRail .5 mm a day for 2-3 weeks. Maintain optimum distraction for a 2 week period.



Post-op radiograph once distraction regimen complete



1 year post-op, joint space maintained